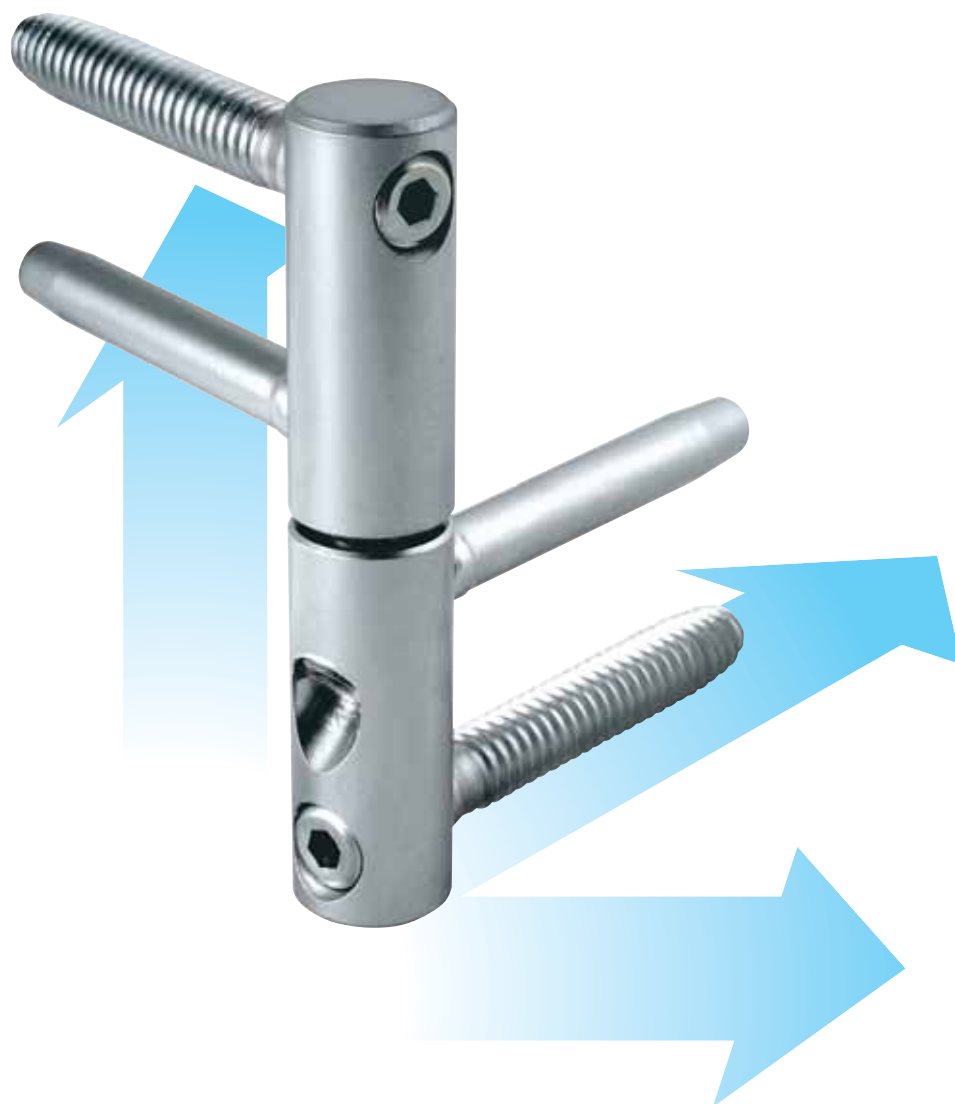


3D

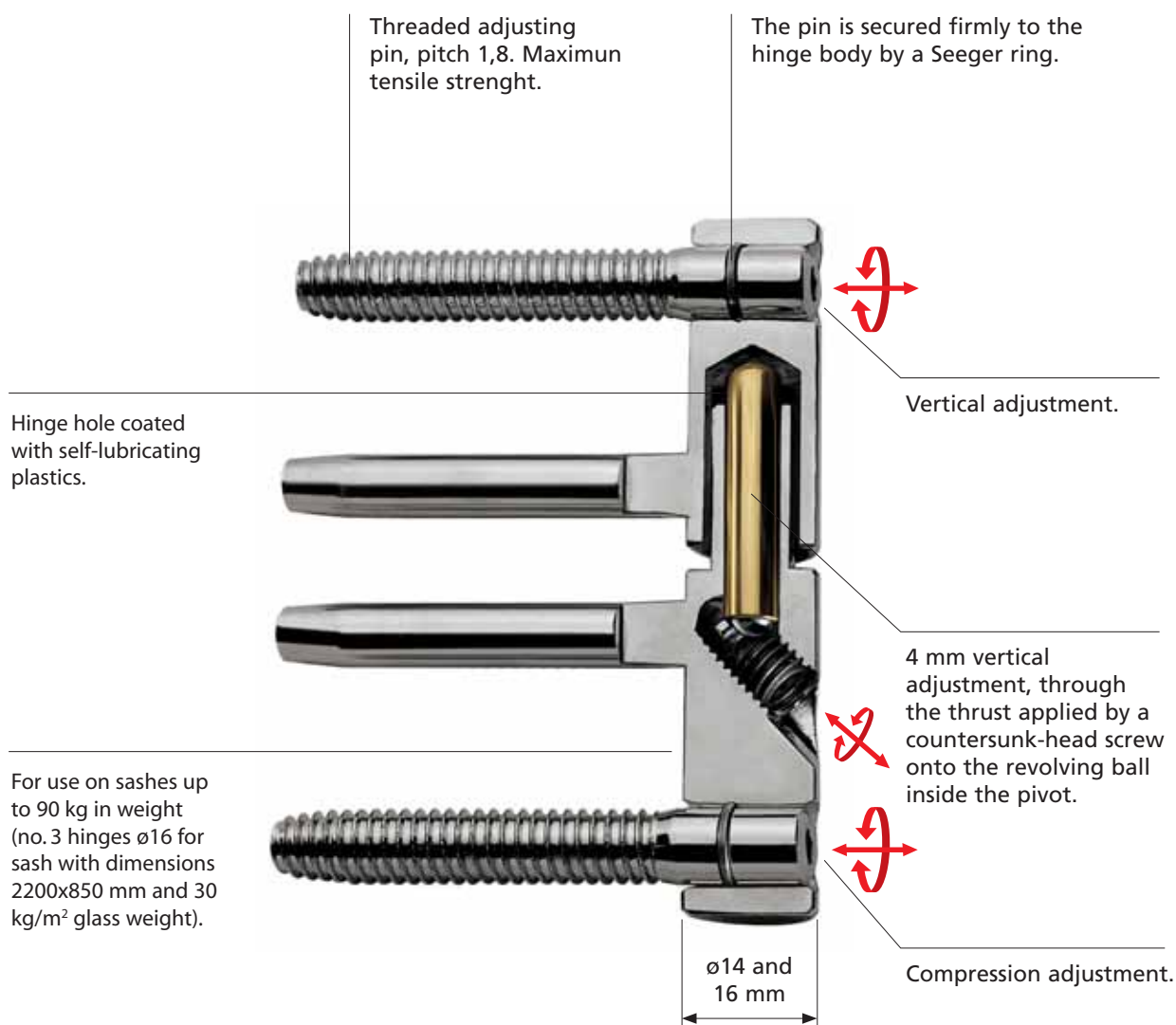
Adjustable hinges for timber

3 axis adjustable hinges for timber doors and windows.



- 14 and 16 mm diameter
- 90 kg. max capacity
- Pin with revolving ball

3D Adjustable hinges for timber



Stainless steel revolving ball. Thanks to a small contact surface, this solution ensures easy sash adjustment, maximum stability and remarkably smooth hinge movement.



- Materials: steel and stainless steel.
- Finishes: bichromated and silver finish.
- ABS Covers: nickel plated, Light bronze plated, brass plated, white, black, brown and silver plated.
- Aluminium covers: Nickel plated, silver plated, Brass plated.
- Brass baroque style covers: bronze plated, varnished polished, anthracite.
- Jigs for flush and rebated assembly.